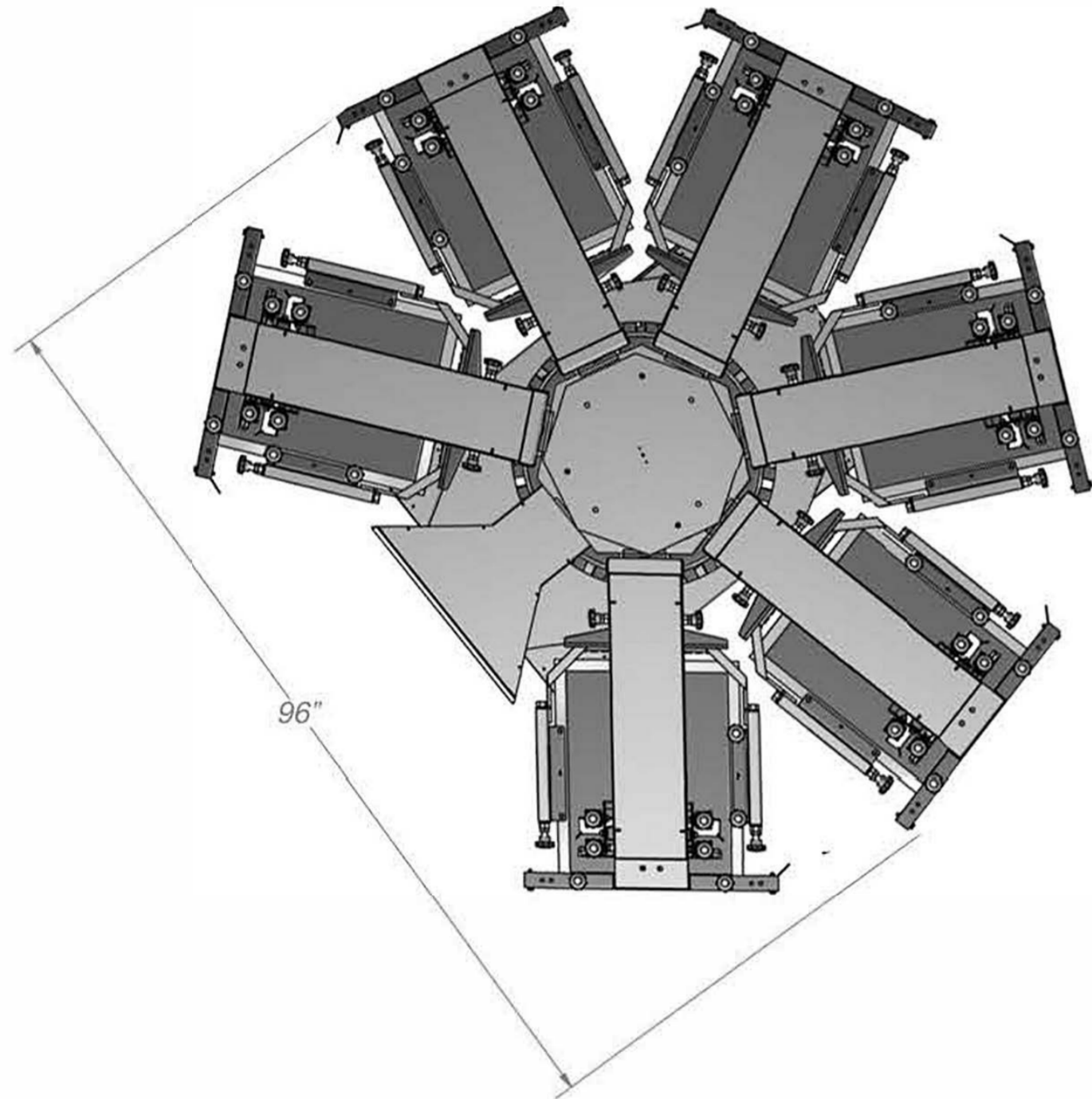


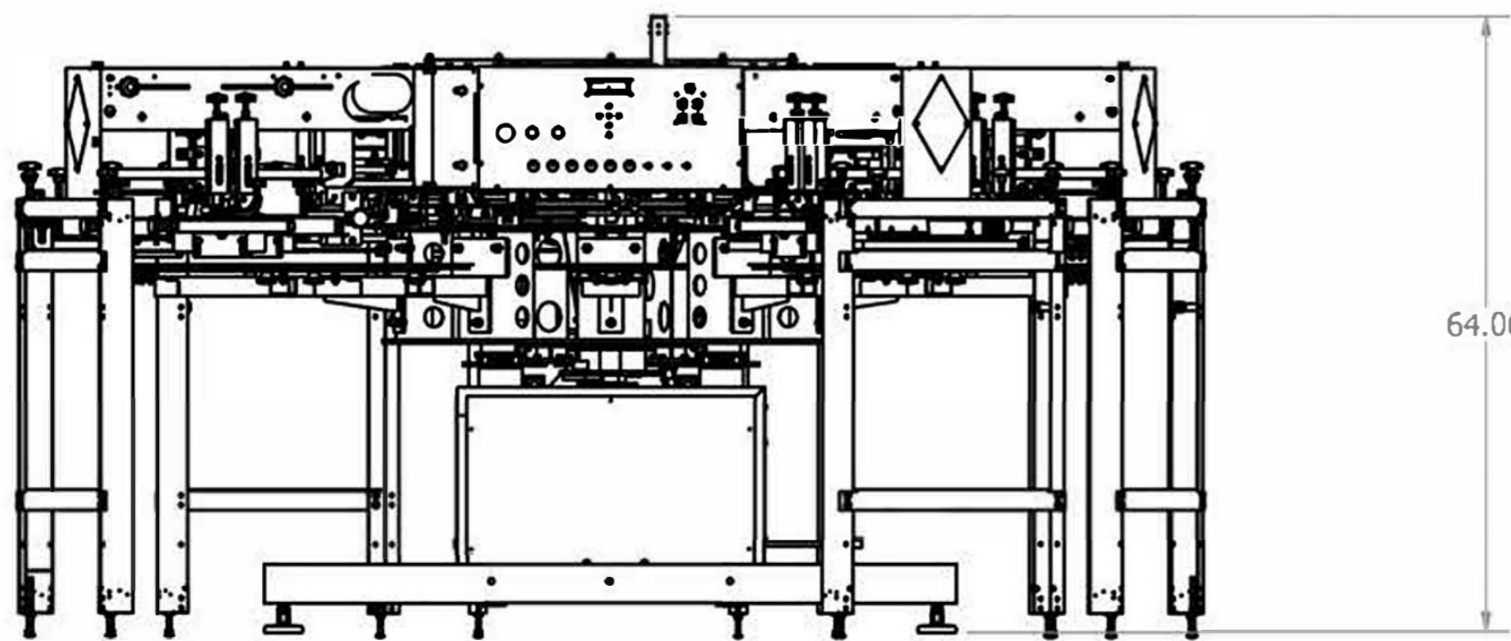
# ELECTRAPRINT JUNIOR 7 STATION DRAWING

POWER SPECS  
120V 20A

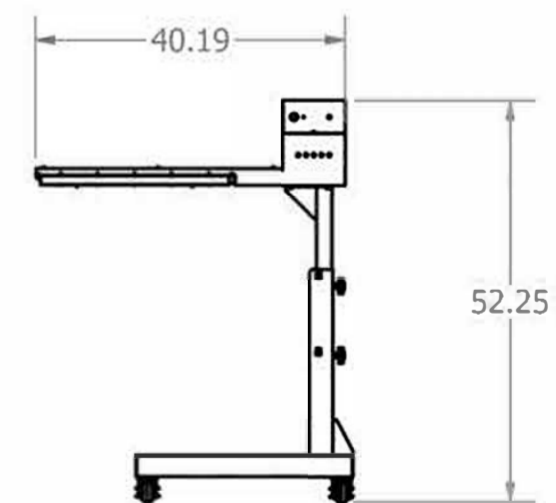
DROP POWER TO  
THE CENTER OF  
THE MACHINE



96"



64.06



40.19

52.25

QF1624A  
240V, 30A, 3 LINE  
DROP TO CENTER OF AUTOMATIC

Material:	Finish:
Unspecified Tolerances x.xx ± 0.010 x.xxx ± 0.005  Remove all spatter, Burrs & Break sharp edges.	Proprietary Information of:  <b>4661 Stafford Ave. S.W.</b> <b>Wyoming, MI 49548</b> <b>Tel. (616)249-0200</b> <b>Fax. (616)249-3211</b> <b>www.brownmfg.net</b>
ENG: DAVID DATE: 3/10/2010 SHEET: 1 of 1	
Part Number : APA810 JR JUMBO	Models: APA810JR

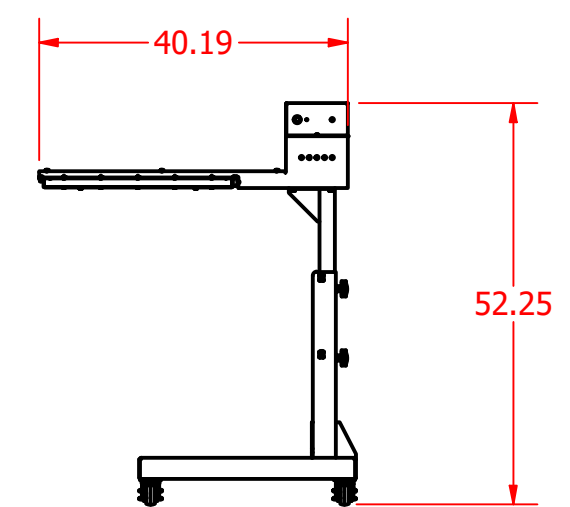
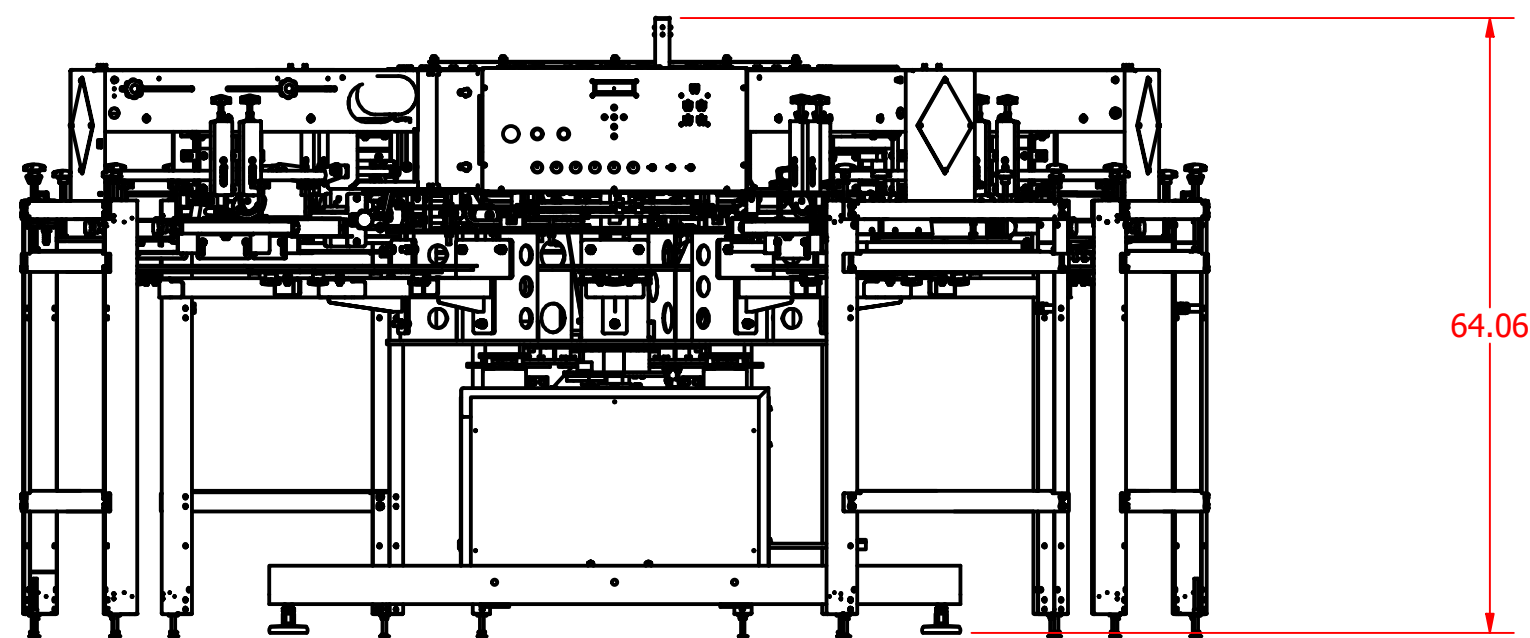
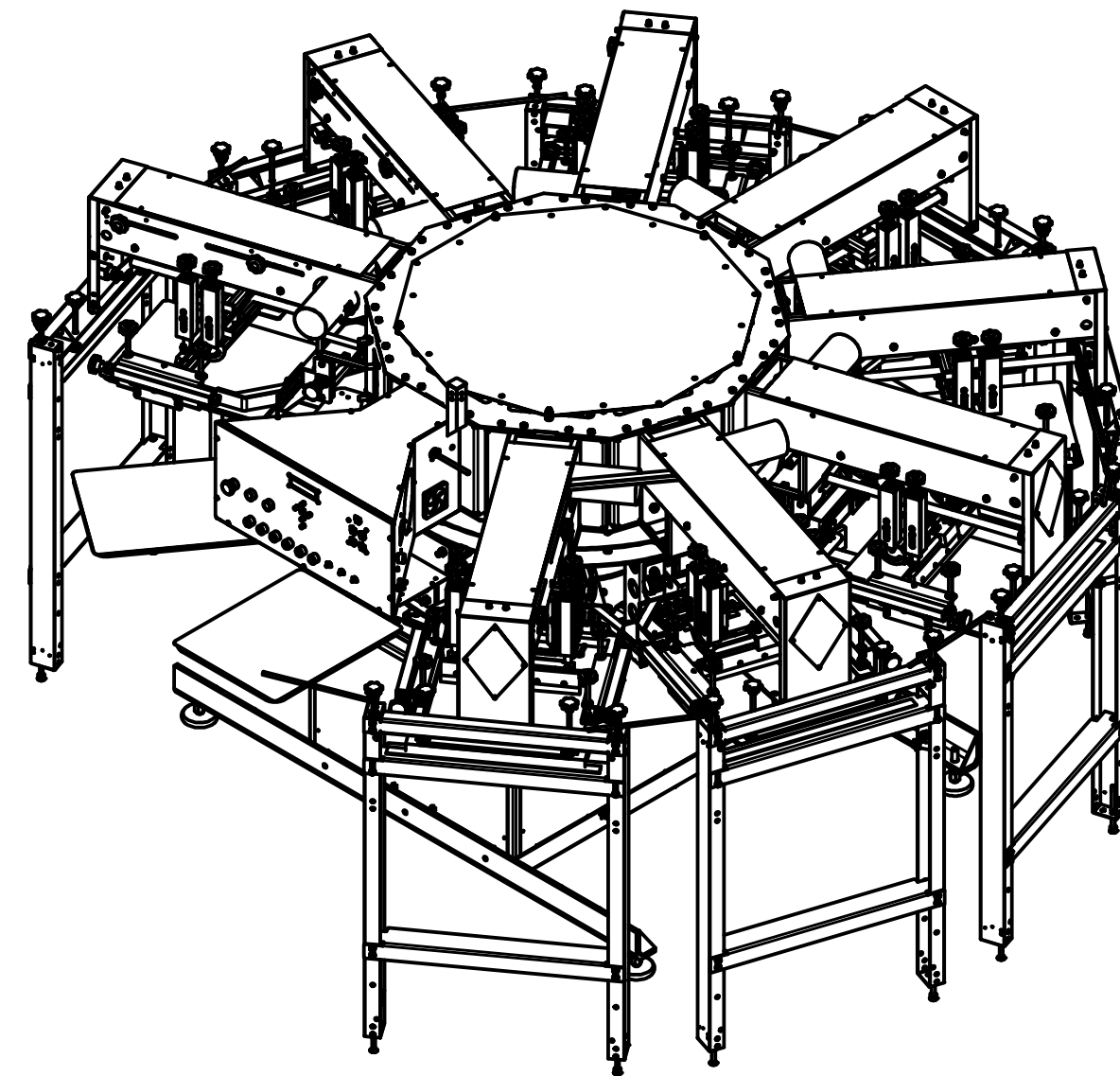
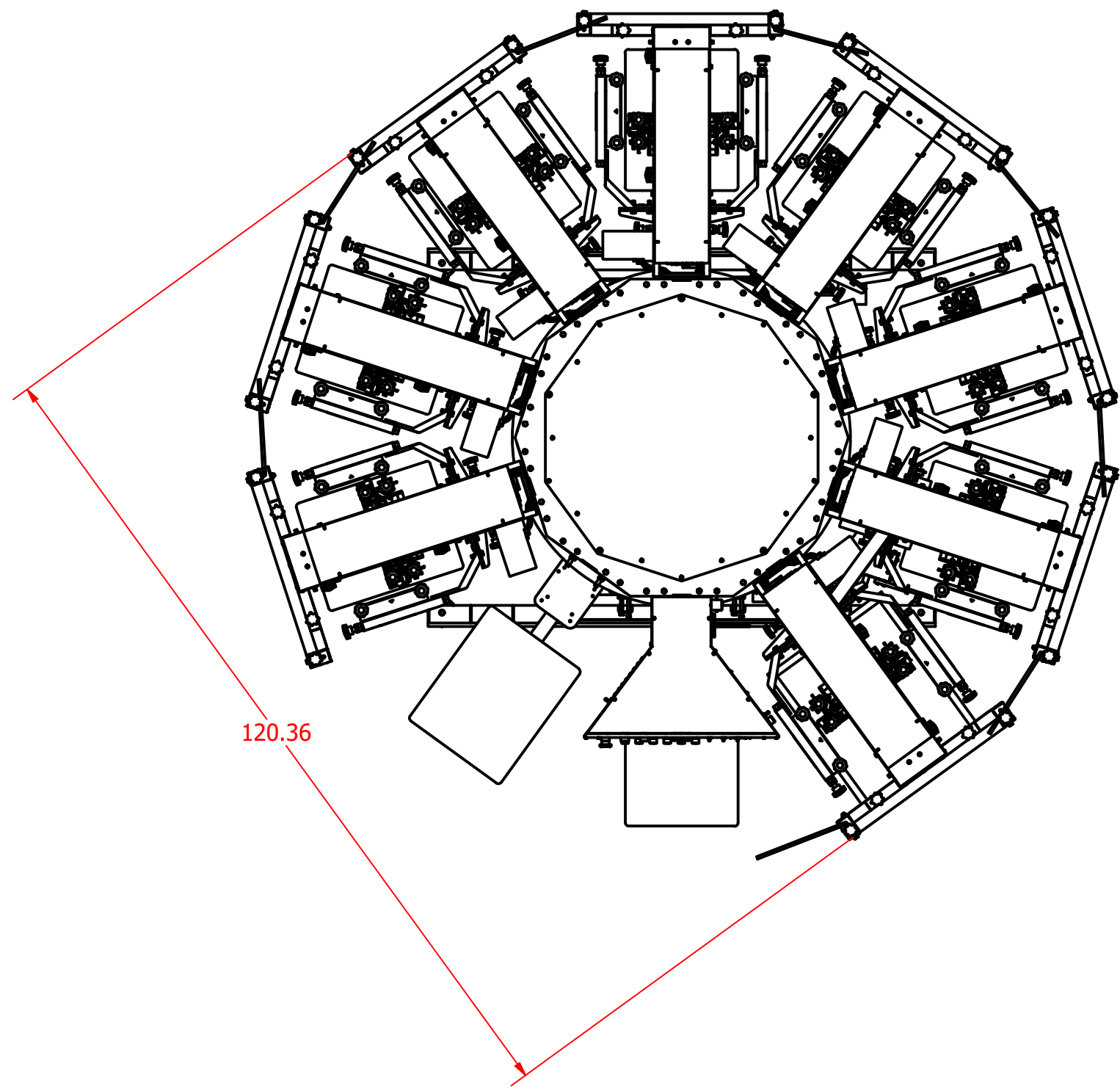
# ELECTRAPRINT JUNIOR 10 STATION DRAWING

APA810JR  
POWER SPECS  
120V 20A

OR

240V, 10A

DROP POWER TO  
THE CENTER OF  
THE MACHINE



QF1624A  
240V, 30A, 3 LINE  
DROP TO CENTER OF AUTOMATIC



Proprietary Information of:

4661 Stafford Ave. S.W.  
Wyoming, MI 49548  
Tel. (616)249-0200  
Fax. (616)249-3211  
www.brownmfg.net